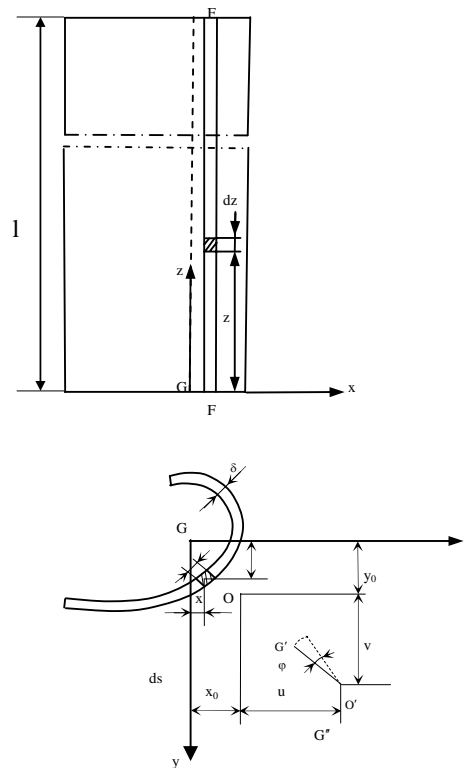


THE INERTIA FORCES ACTING TO THE THIN WALLED BARS WITH OPEN SECTIONS IN THE PROCESSES OF MECHANICAL VIBRATIONS

MIHUȚ Nicoleta - Maria, MIHĂȚĂ Gheorghe, PASĂRE Minodora
University CONSTANTIN BRÂNCUȘI of Târgu Jiu
nicoleta_simionescu@yahoo.com

Keywords: inertia forces, thin walled bars, open sections.

Starting to the displacement of a point of the section of the bar in grid coordinates, by the specific methods of deformable solid mechanics, we determine the inertia forces reported at the unit of length bar, with their components reported by the three directions of the reference coordinates.



Then we determine the moment of inertia forces distributed along the bar to the center twist axis.

REFERENCES

- [1] Bolotine, V.V., (1956), *Dinamitcheskaja oustoitchivosti oupronguih sisteme*, Moskva, Gostehizdat.
- [2] Iacubovitchi V.A., Strajinski V.M., (1972) *Lineynie diferentzialnie ouravnenia sperioditcheskimi coefitzientami I ih priloenia*. Izd. Vo Naouka, Moskva.
- [3] Petre A., Anastasiu M., *Bare cu pereți subțiri*, Editura Tehnica , Bucuresti, 1960.